

SPECIFICATION

产品规格书

REFOND P/N 产品型号

RF-W*HV32DS-FH-F2

R&D 研发

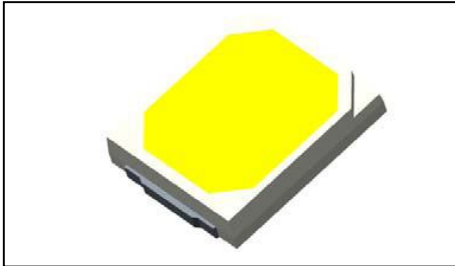
Mass Product 量产供货

Contents 目录

1. Description 产品介绍.....	3
1.1 General Description 产品描述.....	3
1.2 Features 产品特征.....	3
1.3 Application 产品应用.....	3
1.4 Product Selection Table 产品型号.....	4
1.5 Package Dimension 封装尺寸.....	4
1.6 Product Parameters 产品参数.....	5
1.7 Bin Range Of Forward Voltage and Luminous Flux (IF=30mA) 电压与流明分 BIN 范围 (IF=30mA).....	7
1.8 Typical optical characteristics curves 典型光学特性曲线.....	11
2. Packaging 产品包装.....	15
2.1 Packaging Specification 包装规格.....	15
2.1.1 Carrier Tape Dimension 载带尺寸.....	15
2.1.2 Reel Dimension 卷盘尺寸.....	15
2.1.3 Label Form Specification 标签规格.....	16
2.2 Moisture Resistant Packing 防潮包装.....	16
2.3 Cardboard Box 包装纸箱.....	16
2.4 Reliability Test Items And Conditions 信赖性测试项目及条件.....	17
2.5 Criteria For Judging Damage 失效判定标准.....	18
3. SMT Reflow Soldering Instructions SMT 回流焊说明.....	19
3.1 SMT Reflow Soldering Instructions SMT 回流焊说明.....	19
4. Handling Precautions 产品使用注意事项.....	21
4.1 Handling Precautions 产品使用注意事项.....	21

1. Description 产品介绍

1.1 General Description 产品描述



The White LED which was fabricated using a blue chip and the phosphor,

Package size: 2.8mm*3.5mm*0.7mm.

该产品为白光 LED，是由蓝光芯片激发荧光粉而形成，产品尺寸：2.8mmX3.5mmX0.7mm。

1.2 Features 产品特征

- ▶ PLCC-2 Package. 封装
- ▶ Extremely wide viewing angle. 发光角度大
- ▶ Suitable for all SMT assembly and solder process. 适用于所有的SMT组装和焊接工艺
- ▶ Available on tape and reel. 适用于载带及卷轴
- ▶ Moisture sensitivity level: Level 3. 防潮等级 Level 3
- ▶ RoHS compliant. 满足RoHS要求

1.3 Application 产品应用

- ▶ Indoor lighting. 室内照明
- ▶ Bulb lighting. 球泡灯
- ▶ General indoor applications. 其它适合的室内应用

1.4 Product Selection Table 产品型号

Modle NO.	CCT	Center		
		code	x	y
RF-W2HV32DS-FH-F2	2700K	27M	0.4630	0.4200
RF-W3HV32DS-FH-F2	3000K	30M	0.4400	0.4030
RF-W4HV32DS-FH-F2	4000K	40M	0.3800	0.3800
RF-W5HV32DS-FH-F2	5000K	50M	0.3460	0.3590
RF-W57HV32DS-FH-F2	5700K	57M	0.3295	0.3426
RF-W60HV32DS-FH-F2	6000K	60M	0.3211	0.3353
RF-W6HV32DS-FH-F2	6500K	65M	0.3113	0.3346
RF-W68HV32DS-FH-F2	6800K	68M	0.3069	0.3306

1.5 Package Dimension 封装尺寸

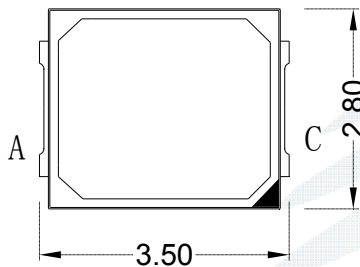


Fig.1-1 Top view 正面视图

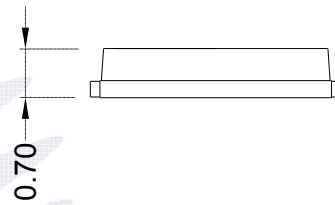


Fig.1-2 Side view 侧面视图

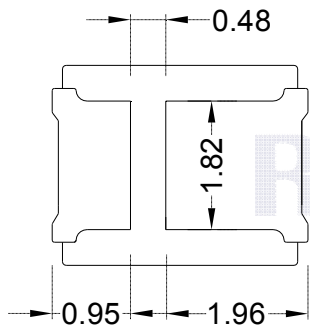


Fig.1-3 Bottom view 背面视图



Polarity
A: anode
C: cathode

Fig.1-4 Polarity 极性

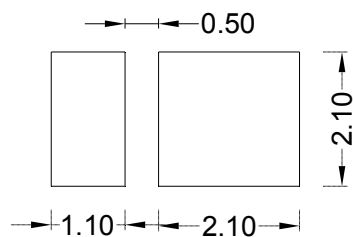


Fig.1-5 Soldering patterns 推荐焊盘

Notes 备注 :

- All dimensions units are millimeters. 所有尺寸标注单位为 mm
- All dimensions tolerances are ± 0.05 mm unless otherwise noted. 除特别标注外, 所有尺寸公差为 ± 0.05 mm

1.6 Product Parameters 产品参数

Table 1-1 Electrical / Optical Characteristics at Ts=25°C 电性与光学特性

Item 项目	Code 代码	Symbol 符号	Test Condition 测试条件	Value			Unit 单位
				Min. (最小值)	Typ. (典型值)	Max. (最大值)	
Forward Voltage 正向电压	Rank VM1	V_F	$I_F = 30\text{mA}$	35.2	37.5	36.0	V
	Rank VM2			36.0		36.8	V
	Rank VM3			36.8		37.6	V
	Rank VM4			37.6		38.4	V
RF-W2HV32DS-FH-F2	Rank FC3	Φ	$I_F = 30\text{mA}$	110	127	120	lm
	Rank FC4			120		130	lm
RF-W3HV32DS-FH-F2	Rank FC4	Φ	$I_F = 30\text{mA}$	120	134	130	lm
	Rank FC5			130		140	lm
RF-W4HV32DS-FH-F2	Rank FC5	Φ	$I_F = 30\text{mA}$	130	143	140	lm
	Rank FC6			140		150	lm
RF-W5HV32DS-FH-F2	Rank FC5	Φ	$I_F = 30\text{mA}$	130	143	140	lm
	Rank FC6			140		150	lm
RF-W57HV32DS-FH-F2	Rank FC5	Φ	$I_F = 30\text{mA}$	130	143	140	lm
	Rank FC6			140		150	lm
RF-W60HV32DS-FH-F2	Rank FC5	Φ	$I_F = 30\text{mA}$	130	143	140	lm
	Rank FC6			140		150	lm
RF-W6HV32DS-FH-F2	Rank FC5	Φ	$I_F = 30\text{mA}$	130	143	140	lm
	Rank FC6			140		150	lm
RF-W68HV32DS-FH-F2	Rank FC4	Φ	$I_F = 30\text{mA}$	120	140	130	lm
	Rank FC5			130		140	lm
	Rank FC6			140		150	lm
Reverse Current (漏电流)		I_R	$V_R = 50\text{V}$	---	---	10	μA
Viewing Angle (发光角度)		$2\theta_{1/2}$	$I_F = 30\text{mA}$	---	120	---	Deg
Color Rendering Index (显色指数)		CRI		80	82	---	---
Thermal resistance (热阻)		R_{THJ-S}		---	17	---	$^{\circ}\text{C}/\text{W}$
Electrostatic Discharge(HBM) (静电)		ESD	---	2000	---	---	V

Table 1-2 Absolute Maximum Ratings at Ts=25°C 绝对最大值

Parameter (参数)	Symbol (符号)	Rating (值)	Units (单位)
Power Dissipation (功耗)	P _D	1344	mW
Forward Current (正向电流)	I _F	35	mA
Peak Forward Current (峰值电流)	I _{FP}	60	mA
Reverse Voltage (反向电压)	V _R	50	V
Operating Temperature (操作温度)	T _{OPR}	-40 ~ +100	°C
Storage Temperature (储存温度)	T _{STG}	-40 ~ +100	°C
Junction Temperature (结温)	T _J	125	°C

Notes 备注：

- 1/10 Duty cycle, 0.1ms pulse width. 脉宽0.1ms,占空比1/10.
- The above forward voltage measurement allowance tolerance is $\pm 0.1V$. 以上所示电压测量误差 $\pm 0.1V$.
- The above color coordinates measurement allowance tolerance is ± 0.005 . 以上所示坐标测量误差 ± 0.005 .
- The above luminous intensity measurement allowance tolerance $\pm 10\%$. 上述发光强度的测试允许公差为 $\pm 10\%$.
- Care is to be taken that power dissipation does not exceed the absolute maximum rating of the product. 使用功率不能超过规定的最大值。
- All measurements were made under the standardized environment of Refond. 所有测试都是基于瑞丰现有的标准测试平台。
- When the LEDs are in operation the maximum current should be decided after measuring the package temperature, junction temperature should not exceed the maximum rate. LED使用的最大电流需要根据散热条件确定, 结温不能超过最大值。

1.7 Bin Range Of Forward Voltage and Luminous Flux (IF=30mA) 电压与流明分 BIN 范围(IF=30mA)

Table 1-3

VF (V)	VM1	VM2	VM3	VM4
	35.2-36.0	36.0-36.8	36.8-37.6	37.6-38.4
φ (lm) RF-W2HV32DS-FH-F2	FC3	FC4		
	110-120	120-130		
φ (lm) RF-W3HV32DS-FH-F2	FC4	FC5		
	120-130	130-140		
φ (lm) RF-W4HV32DS-FH-F2 RF-W5HV32DS-FH-F2 RF-W57HV32DS-FH-F2 RF-W60HV32DS-FH-F2 RF-W6HV32DS-FH-F2	FC5	FC6		
	130-140	140-150		
RF-W68HV32DS-FH-F2	FC4	FC5	FC6	
	120-130	130-140	140-150	



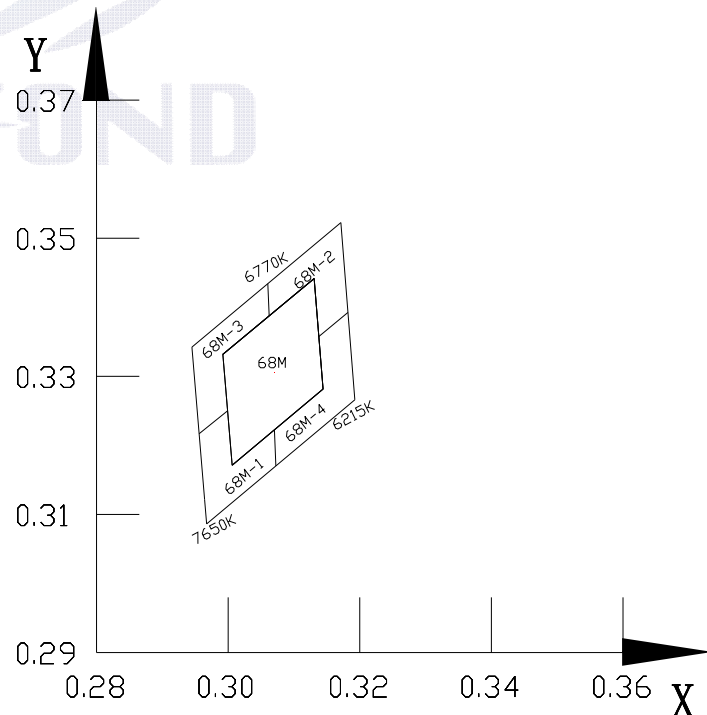
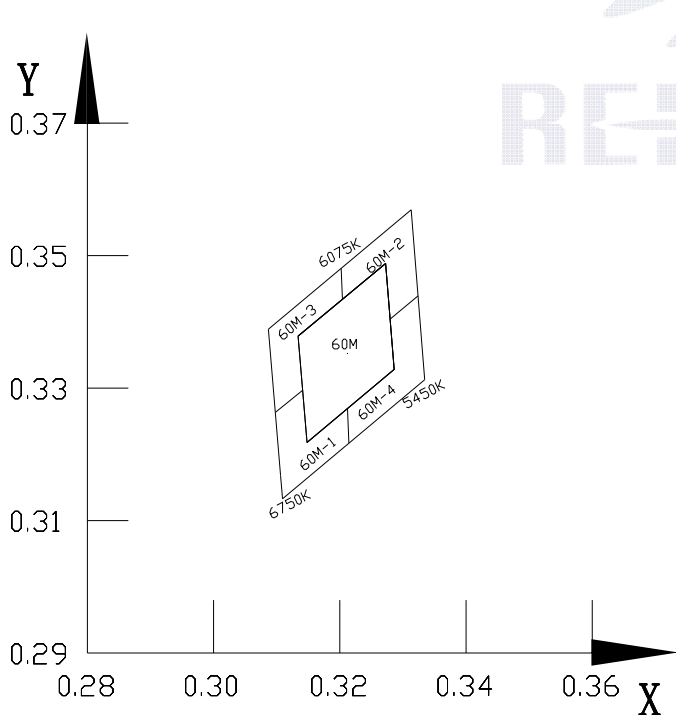
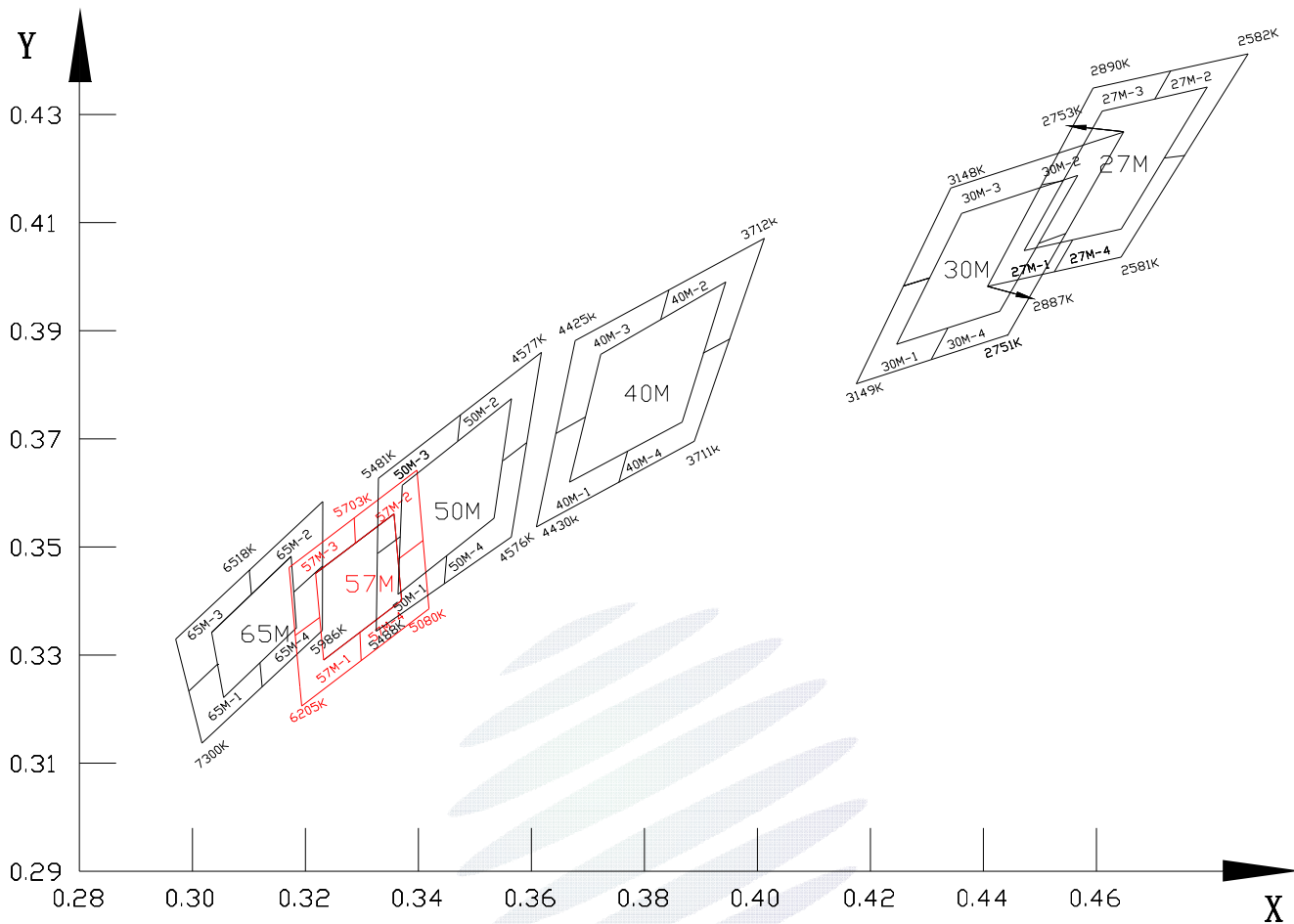


Fig 1-6 The C.I.E Chromaticity Diagram CIE色度图

Table 1-4 坐标值

ERP 5-step												
BIN CODE	X1	Y1	X2	Y2	X3	Y3	X4	Y4				
27M	0.4796	0.4351	0.4610	0.4306	0.4472	0.4048	0.4643	0.4088				
30M	0.4567	0.4187	0.4361	0.4117	0.4247	0.3875	0.4429	0.3936				
40M	0.3944	0.3990	0.3723	0.3856	0.3667	0.3620	0.3867	0.3731				
50M	0.3565	0.3774	0.3371	0.3614	0.3364	0.3412	0.3534	0.3553				
57M	0.3357	0.3561	0.3218	0.3451	0.3232	0.3291	0.3370	0.3401				
60M	0.3273	0.3488	0.3134	0.3378	0.3148	0.3218	0.3286	0.3328				
65M	0.3175	0.3483	0.3034	0.3342	0.3055	0.3221	0.3184	0.3350				
68M	0.3131	0.3442	0.2992	0.3332	0.3006	0.3171	0.3144	0.3282				
ERP 7-step												
BIN CODE	X1	Y1	X2	Y2	X3	Y3	X4	Y4	X5	Y5	X6	Y6
27M-1	0.4407	0.3982	0.4503	0.4170	0.4541	0.4179	0.4472	0.4048	0.4559	0.4068	0.4526	0.4009
27M-2	0.4869	0.4412	0.4734	0.4381	0.4704	0.4329	0.4796	0.4351	0.4721	0.4220	0.4760	0.4229
27M-3	0.4594	0.4349	0.4734	0.4380	0.4704	0.4329	0.4610	0.4306	0.4541	0.4179	0.4503	0.4170
27M-4	0.4644	0.4036	0.4526	0.4009	0.4559	0.4069	0.4644	0.4088	0.4721	0.4220	0.4760	0.4229
30M-1	0.4175	0.3802	0.4259	0.3983	0.4305	0.3998	0.4247	0.3875	0.4337	0.3905	0.4308	0.3847
30M-2	0.4648	0.4268	0.4496	0.4217	0.4464	0.4153	0.4567	0.4187	0.4498	0.4062	0.4539	0.4069
30M-3	0.4343	0.4166	0.4496	0.4217	0.4464	0.4153	0.4361	0.4117	0.4305	0.3998	0.4259	0.3983
30M-4	0.4444	0.3892	0.4308	0.3847	0.4337	0.3905	0.4429	0.3936	0.4498	0.4062	0.4539	0.4069
40M-1	0.3609	0.3537	0.3643	0.3710	0.3695	0.3740	0.3667	0.3620	0.3770	0.3677	0.3755	0.3619
40M-2	0.4012	0.4071	0.3843	0.3975	0.3829	0.3921	0.3944	0.3990	0.3904	0.3858	0.3952	0.3885
40M-3	0.3677	0.3882	0.3843	0.3975	0.3829	0.3921	0.3723	0.3856	0.3696	0.3741	0.3643	0.3710
40M-4	0.3888	0.3696	0.3755	0.3619	0.3770	0.3677	0.3867	0.3731	0.3904	0.3858	0.3952	0.3885
50M-1	0.3325	0.3344	0.3328	0.3488	0.3368	0.3519	0.3364	0.3412	0.3450	0.3484	0.3446	0.3432
50M-2	0.3618	0.3860	0.3475	0.3745	0.3470	0.3696	0.3565	0.3774	0.3550	0.3659	0.3591	0.3693
50M-3	0.3329	0.3627	0.3475	0.3745	0.3470	0.3696	0.3371	0.3614	0.3368	0.3519	0.3328	0.3488
50M-4	0.3564	0.3518	0.3446	0.3432	0.3450	0.3484	0.3534	0.3553	0.3550	0.3660	0.3591	0.3693
57M-1	0.3193	0.3206	0.3182	0.3336	0.3225	0.3370	0.3232	0.3291	0.3296	0.3342	0.3299	0.3290
57M-2	0.3397	0.3642	0.3286	0.3554	0.3288	0.3507	0.3357	0.3561	0.3364	0.3477	0.3408	0.3512
57M-3	0.3171	0.3462	0.3286	0.3554	0.3288	0.3507	0.3218	0.3451	0.3225	0.3370	0.3182	0.3336
57M-4	0.3419	0.3385	0.3299	0.3290	0.3296	0.3342	0.3370	0.3401	0.3364	0.3477	0.3408	0.3512
60M-1	0.3109	0.3133	0.3098	0.3263	0.3141	0.3297	0.3148	0.3218	0.3212	0.3269	0.3214	0.3217
60M-2	0.3313	0.3569	0.3202	0.3481	0.3204	0.3434	0.3273	0.3488	0.3280	0.3404	0.3324	0.3439

60M-3	0.3087	0.3389	0.3202	0.3481	0.3204	0.3434	0.3134	0.3378	0.3141	0.3297	0.3098	0.3263
60M-4	0.3334	0.3313	0.3214	0.3217	0.3212	0.3269	0.3286	0.3328	0.3280	0.3404	0.3324	0.3439
65M-1	0.3017	0.3137	0.2994	0.3233	0.3044	0.3283	0.3055	0.3221	0.3120	0.3286	0.3123	0.3241
65M-2	0.3231	0.3584	0.3101	0.3457	0.3104	0.3412	0.3175	0.3483	0.3179	0.3416	0.3230	0.3465
65M-3	0.2970	0.3329	0.3101	0.3457	0.3104	0.3412	0.3034	0.3342	0.3044	0.3283	0.2994	0.3233
65M-4	0.3230	0.3346	0.3123	0.3241	0.3120	0.3286	0.3184	0.3350	0.3179	0.3416	0.3230	0.3465
68M-1	0.2967	0.3086	0.3072	0.3170	0.3070	0.3223	0.3006	0.3171	0.2999	0.3250	0.2956	0.3217
68M-2	0.3171	0.3523	0.3060	0.3434	0.3062	0.3387	0.3131	0.3442	0.3138	0.3358	0.3182	0.3393
68M-3	0.2945	0.3342	0.3060	0.3434	0.3062	0.3387	0.2992	0.3332	0.2999	0.3250	0.2956	0.3217
68M-4	0.3193	0.3266	0.3072	0.3170	0.3070	0.3223	0.3144	0.3282	0.3138	0.3358	0.3182	0.3393

Kitting Principles 配BIN原则

Table 1-5

CIE Kitting			
CCT	CIE Kit	Reel 1	Reel 2
2700K	Kit 1	27M	27M
	Kit 2	27M-1	27M-2
	Kit 3	27M-3	27M-4
3000K	Kit 1	30M	30M
	Kit 2	30M-1	30M-2
	Kit 3	30M-3	30M-4
4000K	Kit 1	40M	40M
	Kit 2	40M-1	40M-2
	Kit 3	40M-3	40M-4
5000K	Kit 1	50M	50M
	Kit 2	50M-1	50M-2
	Kit 3	50M-3	50M-4
5700K	Kit 1	57M	57M
	Kit 2	57M-1	57M-2
	Kit 3	57M-3	57M-4
6000K	Kit 1	60M	60M
	Kit 2	60M-1	60M-2
	Kit 3	60M-3	60M-4
6500K	Kit 1	65M	65M
	Kit 2	65M-1	65M-2
	Kit 3	65M-3	65M-4
6800K	Kit 1	68M	68M
	Kit 2	68M-1	68M-2
	Kit 3	68M-3	68M-4

1.8 Typical optical characteristics curves 典型光学特性曲线

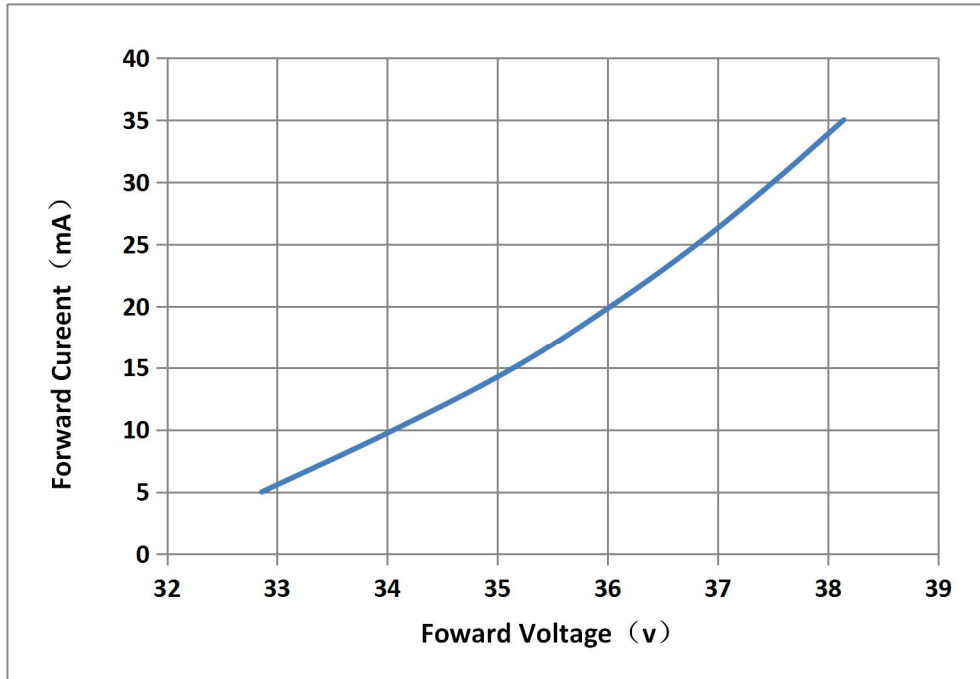


Fig 1-7 Forward Voltage Vs. Forward Current 伏安特性曲线

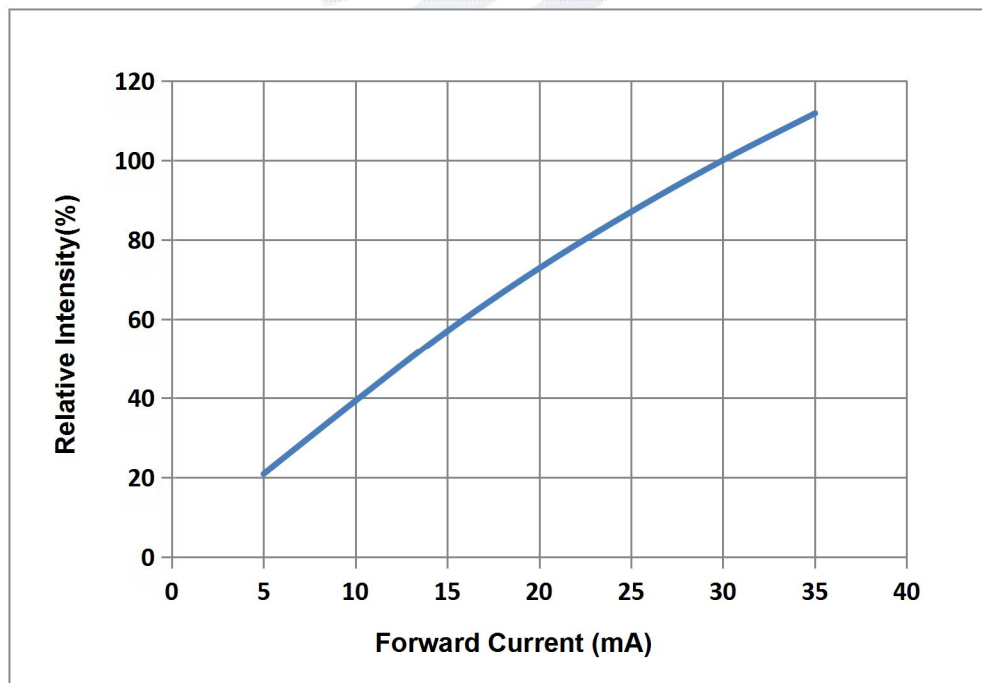


Fig 1-8 Forward Current Vs. Relative Intensity 正向电流与相对光强特性曲线

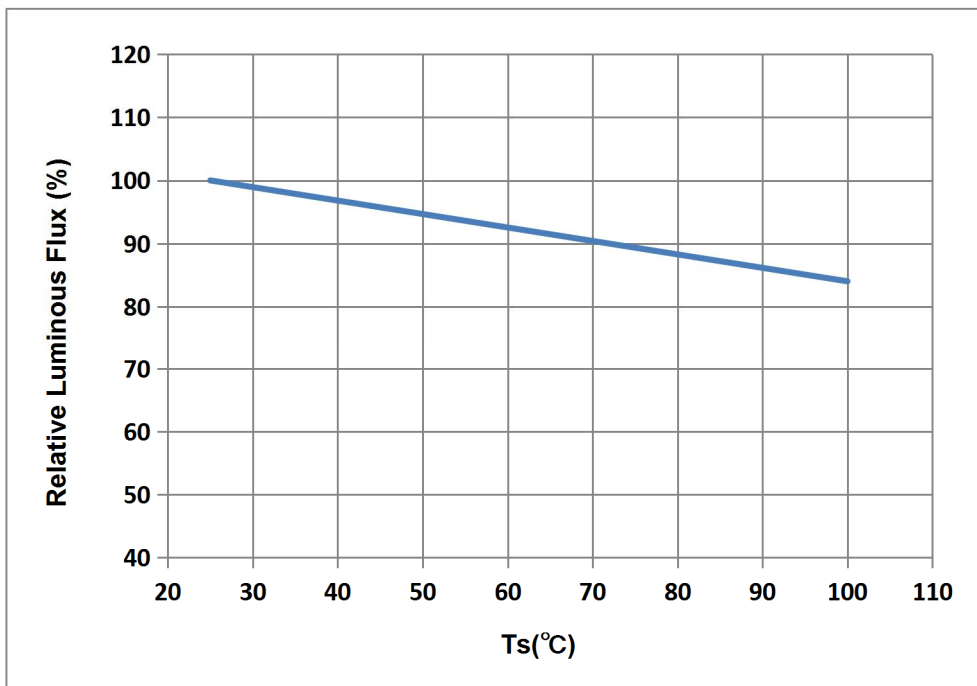


Fig 1-9 Solder Temperature Vs Relative Intensity 管脚温度与相对光强特性曲线

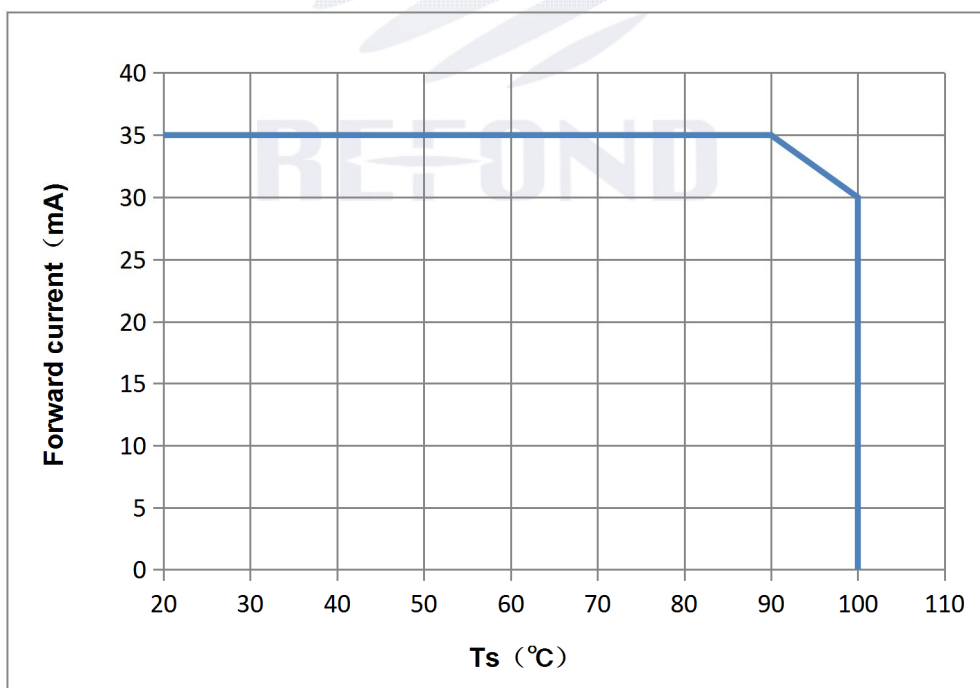


Fig 1-10 Solder Temperature Vs. Forward Current 管脚温度与正向电流特性曲线

Tj ≤ 125°C

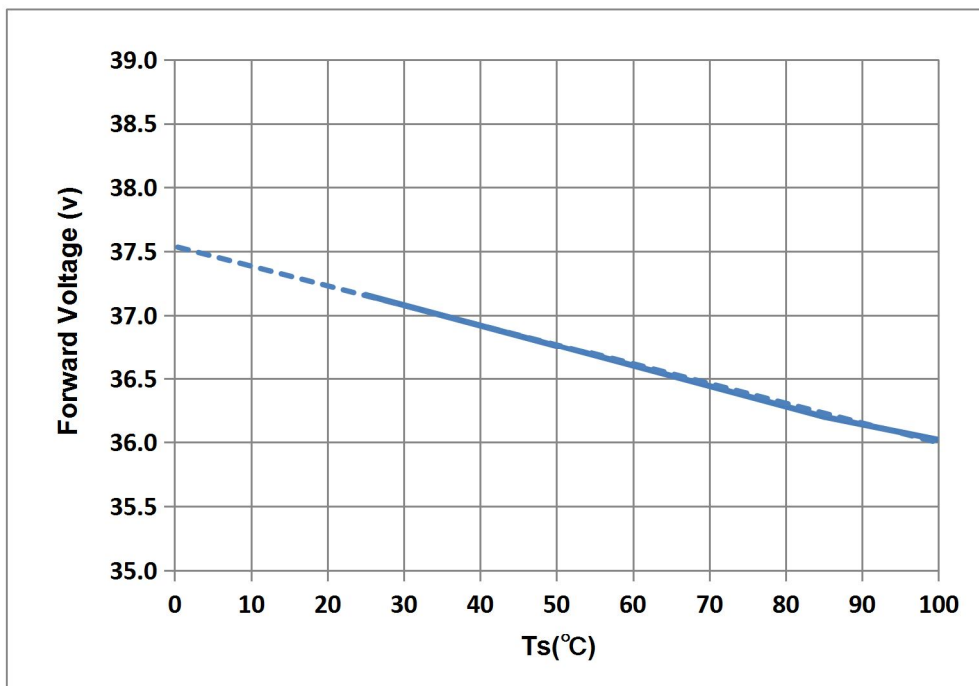


Fig 1-11 Forward Voltage Vs Solder Temperature 电压与管脚温度特性曲线

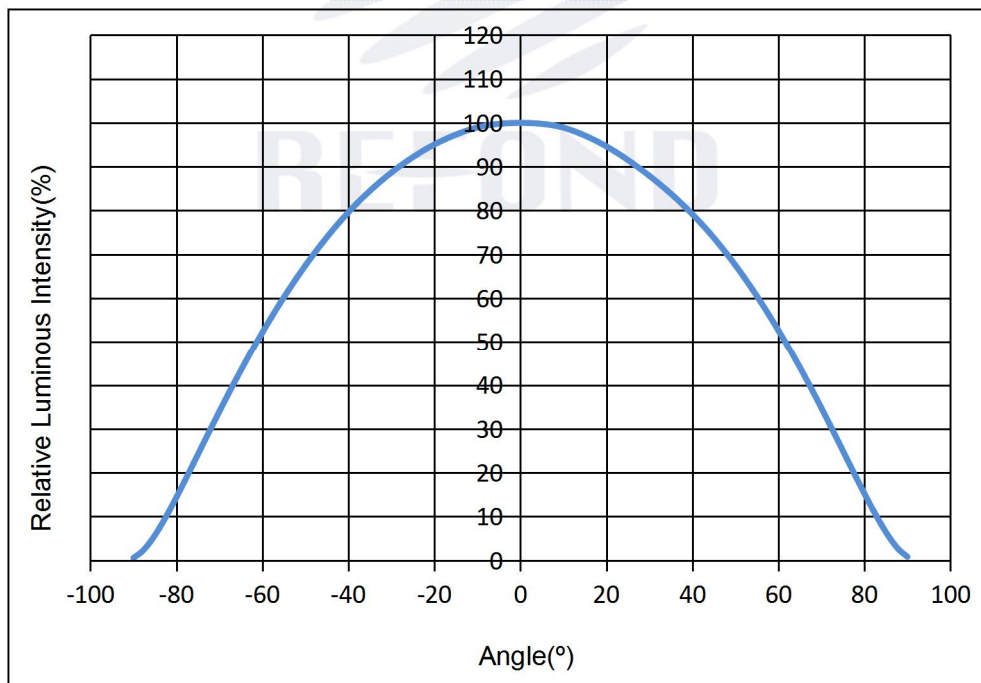


Fig 1-12 Radiation diagram 辐射特性曲线

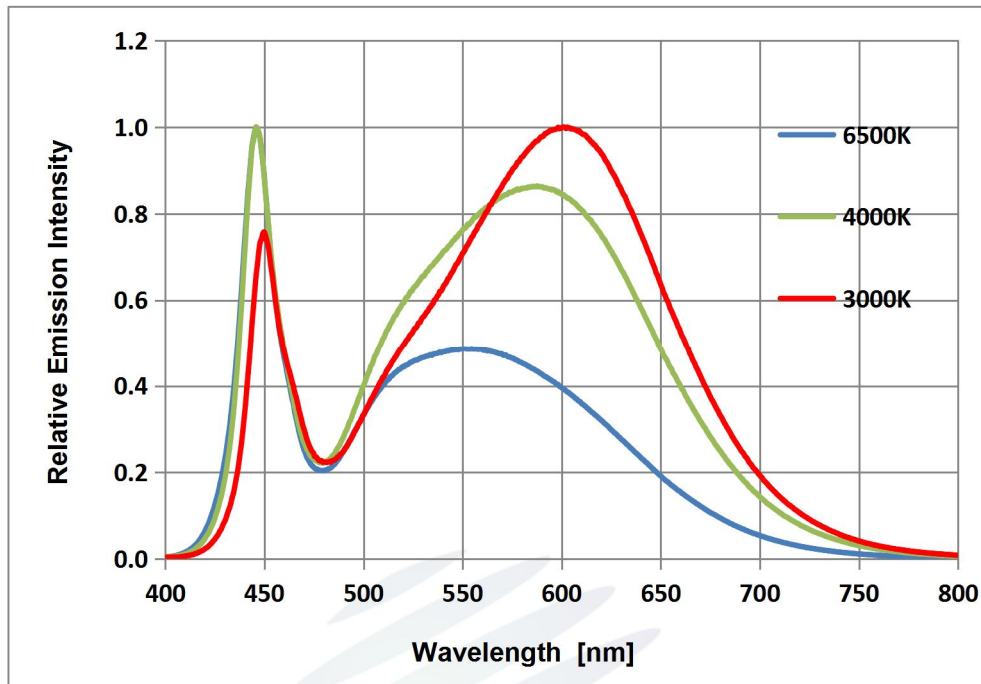


Fig 1-13 Spectrum Distribution 光谱分布特性曲线

REFOND

2. Packaging 产品包装

2.1 Packaging Specification 包装规格

Package: 12000pcs/reel or 4000pcs/reel. 包装每卷 12000pcs 或 4000pcs。

2.1.1 Carrier Tape Dimension 载带尺寸

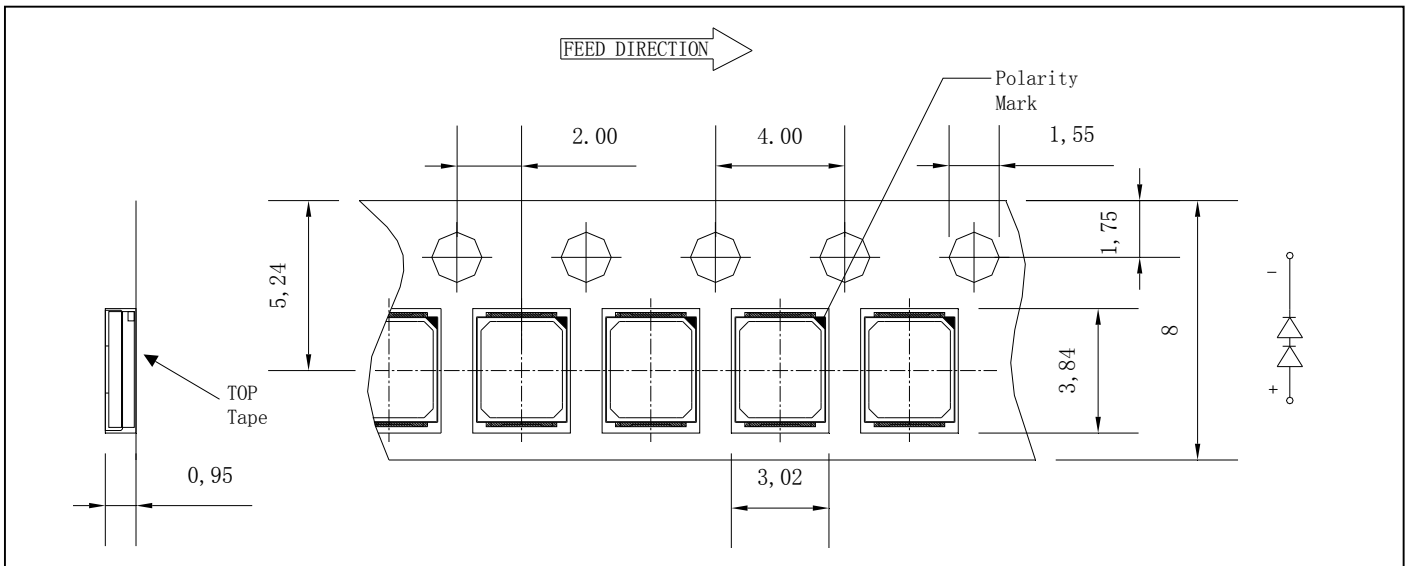


Fig.2-1 Carrier Tape Dimension 载带尺寸

2.1.2 Reel Dimension 卷盘尺寸

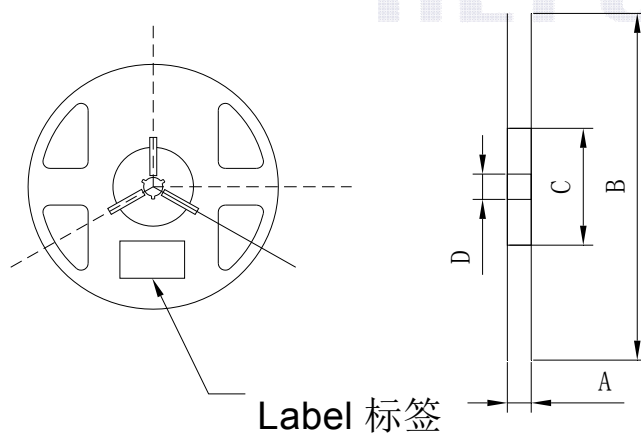


Fig.2-2Title

Table 2-1 Title

	12000pcs	4000pcs
A	12.2±0.3mm	11.75±0.3mm
B	290±2mm	177.8±0.2mm
C	79.6±0.2mm	58.5±0.2mm
D	14.2±0.2mm	13.5±0.2mm

Notes 备注：

The tolerances unless mentioned ±0.1mm. Unit : mm 注：未注公差为±0.1毫米，尺寸单位：毫米。

2.1.3 Label Form Specification 标签规格

Table 2-2 Title



Fig 2-3 Title

PART NO.	Part Number 品名
SPEC NO.	Spec Number 规格
LOT NO.	Lot Number 批次号
BIN CODE	Bin Code 参数代码
Φ	Luminous flux 光通量
XY	Chromaticity Bin 色区
V _F	Forward Voltage 正向电压
WLD	Wavelength 波长代码
QTY	Packing Quantity 数量
DATE	Made Date 生产日期

2.2 Moisture Resistant Packing 防潮包装

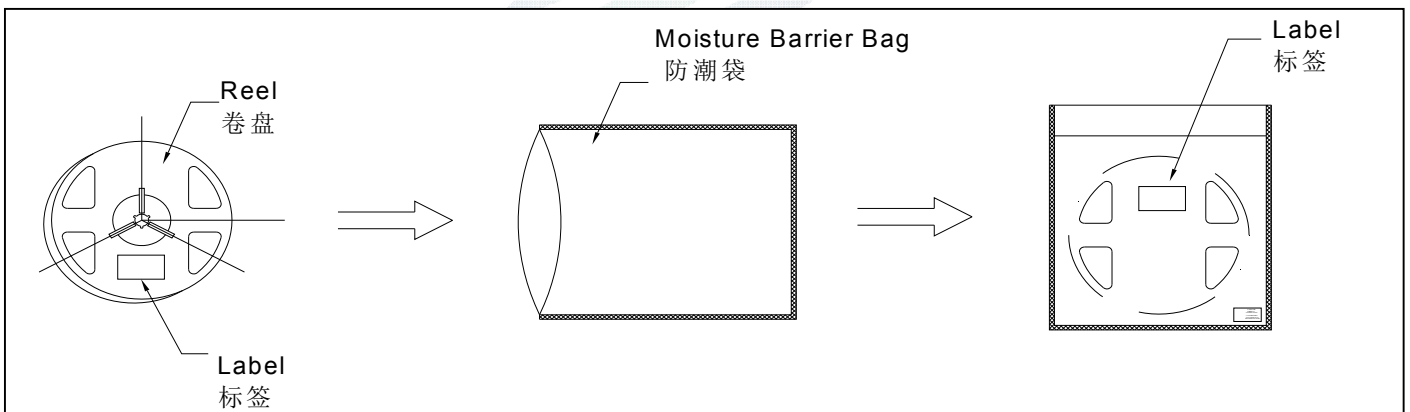


Fig.2-4Title

2.3 Cardboard Box 包装纸箱

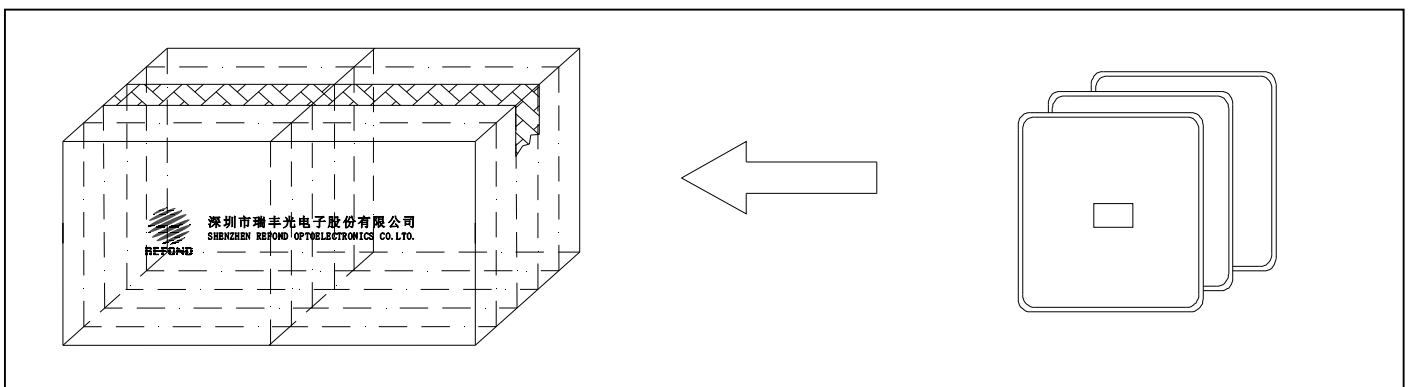


Fig.2-5Title

2.4 Reliability Test Items And Conditions 信赖性测试项目及条件

Table 2-3 Title

TestItems 项目	Ref.Standard 参考标准	Test Condition 测试条件	Time 时间	Quantity 数量	Ac/Re 接收/拒收
Reflow 回流焊	JESD22-B106	Temp:260°Cmax T=10 sec	2times	10pcs	0/1
Thermal Shock 冷热冲击	JEITAED-4701 300307	-40°C 15min ↑↓10s 100°C 15min	200cycles	10pcs	0/1
High Temperature Storage 高温保存	JEITAED-4701 200 201	Temp:100°C	1000hrs	10pcs	0/1
Low Temperature Storage 低温保存	JEITA ED-4701 200 202	Temp:-40°C	1000hrs	10pcs	0/1
Life Test 常温通电	JESD22-A108	Ta=25°C I _F =30mA	1000hrs	10pcs	0/1
High Temperature High Humidity Life Test 高温高湿通电	JESD22-A101	60°C/ 90%RH I _F =30mA	1000hrs	10pcs	0/1
Temperature Humidity Storage 高温高湿储存	JEITA ED-4701 100 103	T _A =85°C R _H =85%	1000hrs	10pcs	0/1
Sulfur test 硫化试验	/	80°C, 4H, 0.6硫粉	4hrs	10pcs	0/1

2.5 Criteria For Judging Damage 失效判定标准

Table 2-4 Title

Test Items 项目	Symbol 符号	Test Condition 测试条件	Criteria For Judgement 判定标准	
			Min. 最小	Max. 最大
Forward Voltage 正向电压	V_F	$I_F=30mA$	-	$(U.S.L^*) \times 1.1$
Reverse Current 反向电流	I_R	$V_R = 50V$	-	$(U.S.L^*) \times 2.0$
Luminous Flux 光通量	Φ	$I_F=30mA$	$(L.S.L^*) \times 0.7$	-

Notes 备注：

- 1.U.S.L: Upper standard level 规格上限 L.S.L: Lower standard level 规格下限
2. The above reliability tests is based on the verification of a single/strip LED of Refond's existing experimental platform, the reliability experiment was taken under good heat dissipation conditions. when customers applies the LED to the series and parallel circuit, should take consideration of all the factors such as the current, voltage distribution, heat dissipation and others. 以上可靠性测试是基于瑞丰现有实验平台单颗/条 LED 在良好散热条件验证下的结果。客户端将 LED 应用于串、并联线路时，需自行评估电流、电压分配、散热等问题。
- 3.The technical information shown in the data sheets are limited to the typical characteristics and circuit examples of the referenced products. It does not constitute the warranting of industrial property nor the granting of any license. 以上技术数据仅为产品的典型值，只作为参考，不作为任何应用条件及应用方式的保证。

3. SMT Reflow Soldering Instructions SMT 回流焊说明

3.1 SMT Reflow Soldering Instructions SMT 回流焊说明

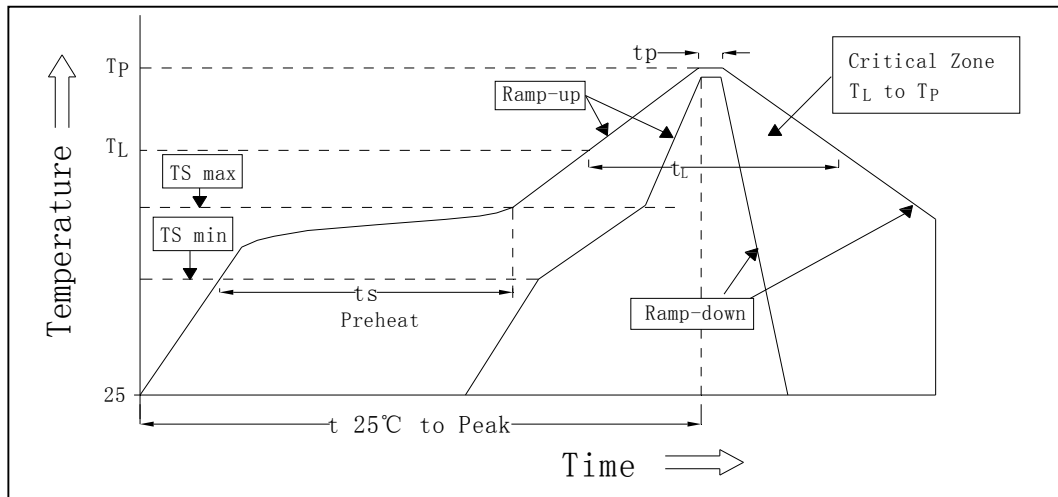


Fig.3-1Title

Table 3-1Title

Average temperature rise speed平均升温速度 ($T_{S\ max}$ 至 T_P)	最高3 °C/秒 Max 3 °C/ s
Preheating: minimum temperature预热 : 最低温度 ($T_{S\ min}$)	150 °C
Preheating: Max temperature预热 : 最高温度 ($T_{S\ max}$)	200 °C
Preheating: Time预热 : 时间 ($T_{S\ min}$ 至 $T_{S\ max}$)	60 - 120秒 60s-120s
Time limited to maintain high temperature: the temperature限时维持高温 : 温度 (T_L)	217 °C
Time limited to maintain high temperature: The Time 限时维持高温 : 时间 (t_L)	最多60秒 Max 60s
Peak /Classification of temperature:峰值 / 分类温度 (T_P)	260 °C
Time limit classification of peak temperature time限时峰值分类温度 : 时间 (t_p)	最多10秒 Max 10s
Hold time within 5 °C with the actual peak temperature (T_P) 与实际峰值温度 (T_P) 相差 5 °C 以内的保持时间	最多30秒 Max 30s
Cooling speed 降温速度	最高6 °C/秒 Max 6 °C/ s
Needed time from 25 °C to T_P 25 °C 升至峰值温度所需时间	最多8分钟 Max 8 minutes

(3) Do not apply mechanical force or excess vibration during the cooling process to normal temperature after soldering. Do not rapidly cool device after soldering. 回流焊之后冷却过程中，不要对材料施加外力，也不要震动，回流焊后，不要采用激剧冷却的方式。

4. Handling Precautions 产品使用注意事项

4.1 Handling Precautions 产品使用注意事项

(1) LED operating environment and sulfur element composition cannot be over 100PPM in the LED mating usage material. This is provided for informational purposes only and is not a warranty or endorsement. LED 工作环境及与 LED 适配的材料中硫元素及化合物成份不可超过 100PPM. 这只是一个建议，不作任何品质担保。

(2) In order to prevent external material from getting into the inside of LED, which may cause the malfunction of LED, the single content of Bromine element is required to be less than 900PPM, the single content of Chlorine element is required to be less than 900PPM, the total content of Bromine element and Chlorine element in the external materials of the application products is required to be less than 1500PPM. This is provided for informational purposes only and is not a warranty or endorsement. 为了防止外界物质进入 LED 内部以造成 LED 的损伤，所处环境及所用套件等等，单一的溴元素含量要求小于 900PPM，单一氯元素含量要求小于 900PPM，溴元素与氯元素总含量必须小于 1500PPM. 这只是一个建议，不作任何品质担保。

(3) VOCs (Volatile organic compounds) emitted from materials used in the construction of fixtures can penetrate silicone encapsulants of LEDs and discolor when exposed to heat and photonic energy. The result can be a significant loss of light output from the fixture. Knowledge of the properties of the materials selected to be used in the construction of fixtures can help prevent these issues. Refond advises against the use of any chemicals or materials that have been found or are suspected to have an adverse affect on device performance or reliability. To verify compatibility, Refond recommends that all chemicals and materials be tested in the specific application and environment for which they are intended to be used. Attaching LEDs, do not use adhesives that outgas organic vapor. 应用套件中的挥发性物质会渗透到 LED 内部，在通电产生光子及热的条件下，会导致 LED 变色，进而造成严重光衰，提前了解套件材料能够避免产生这些问题。瑞丰反对使用任何对 LED 器件的性能或者可靠性有害的物质或材料，不管这些材料是已经证实

了的还是仅仅怀疑有害。针对特定的用途和使用环境，瑞丰建议对所有的物质和材料进行相容性的测试。在贴装 LED 时候，不要使用能产生有机挥发性气体的粘结剂。

(4) Handle the component along the side surface by using forceps or appropriate tools; do not directly touch or Handle the silicone lens surface, it may damage the internal circuitry. 通过使用适当的工具从材料侧面夹取，不可直接用手或尖锐金属压胶体表面，它可能会损坏内部电路。

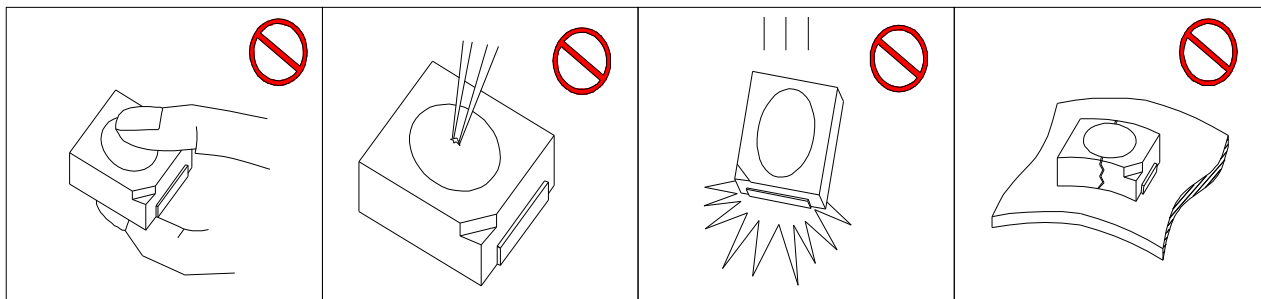


Fig 4-1 Title

(5) In designing a circuit, the current through each LED can not exceed the absolute maximum rating specified for each LED. In the mean while, resistors for protection should be applied, otherwise slight voltage shift will cause big current change, burn out may happen. The driving circuit must be designed to allow forward voltage only when it is ON or OFF. If the reverse voltage is applied to LED, migration can be generated resulting in LED damage. 设计电路时，通过 LED 的电流不能超过规定的最大值，同时，还需使用保护电阻，否则，微小的电压变化将会引起较大电流变化，可能导致产品损毁。电路设计必须保证只有在开启或者关闭的时候出现正向电压的变化，不要施加反压，否则会损坏 LED。

(6) Thermal Design is paramount importance because heat generation may result in the Characteristics decline, such as brightness decreased, Color change and so on. Please consider the heat generation of the LEDs when making the system design. LED 容易因为自身的发热和环境的温度改变而改变，温度升高会降低 LED 发光效率，影响发光颜色，所以在设计时应充分考虑散热问题。

(7) Compared to standard encapsulants, silicone is generally softer, and the surface is more likely to attract dust, requiring special care during processing. In cases where a minimal level of dirt and dust particles cannot be guaranteed, a suitable cleaning solution must be applied to the surface after the soldering of components. Refond suggests using isopropyl alcohol for cleaning. In case other solvents are used, it must be assured that these solvents do not dissolve the

package or resin. Ultrasonic cleaning is not recommended. Ultrasonic cleaning may cause damage to the LED. 与其他封装胶相比，硅胶通常较软，表面易吸附脏物，应用时应特别注意，当对产品洁净度要求较高时，回流焊以后需要采用恰当的清洗方式，我们推荐用异丙醇作清洗剂，如需要用到其他清洗剂，必须保证不会破坏封装体，超声清洗可能会对 LED 带来损害，不推荐这种清洗方式。

Table 4-1 Storage 储存

Conditions 种类		Temperature 温度	Humidity 湿度	Time 时间
Storage 储存	Before Opening Aluminum Bag 拆包前	≤30°C	≤75%	Within 1 Year From Date 一年内
	After Opening Aluminum Bag 拆包后	≤30°C	≤60%	24hours 24小时
Baking 烘烤		60±5°C	-	≥24hours 大于24小时

(8) If the moisture absorbent material (silica gel) has faded away or the LEDs have exceeded the storage time , baking treatment should be performed after unpacking and based on the following condition (60±5) °C for above 24 hours. 如果干燥剂或包装失效，或者产品不符合以上有效储存条件，需拆包后进行烘烤，烘烤条件：60±5°C，大于 24 小时。

If the package is flatulence or damaged, please notify the sales staff to assist. 如果包装胀气或者破损，请通知销售人员协助处理。

(9) Similar to most Solid state devices; LEDs are sensitive to Electro-Static Discharge (ESD) and Electrical Over Stress (EOS). 像其他的半导体电子器件一样，LED 对静电过流击穿非常敏感，需要做好防护。

(10) Other points for attention, please refer to our relevant information. 其它注意事项请参照瑞丰相关资料。



www.refond.com

REFOND

Declare 申明

This specification is written both in English and in Chinese and the latter is formal.
产品规格书以中英文方式书写，若有冲突以中文版本为准。